

MATERIALS:

- 22" of 1x6'
- 3 – 2x2x8'
- 1 – 1x2x4'
- 17" of 1x4'
- 2" Brad Nails
- 1 1/4" Brad Nails
- 1 1/4" Pocket Hole Screws
- Wood Glue

CUT LIST:

Large Lantern

- 2 – 1x6 @ 11"
- 4 – 2x2 @ 1"
- 4 – 2x2 @ 16"
- 8 – 2x2 @ 6"
- 2 – 1x2 @ 7 1/2"
- 2 – 1x2 @ 6"

Small Lantern

- 2 – 1x4 @ 8 1/2"
- 1 – 1x2 @ 8 1/2"
- 4 – 2x2 @ 3/4"
- 4 – 2x2 @ 12"
- 8 – 2x2 @ 4"
- 2 – 1x2 @ 5 1/2"
- 2 – 1x2 @ 4"

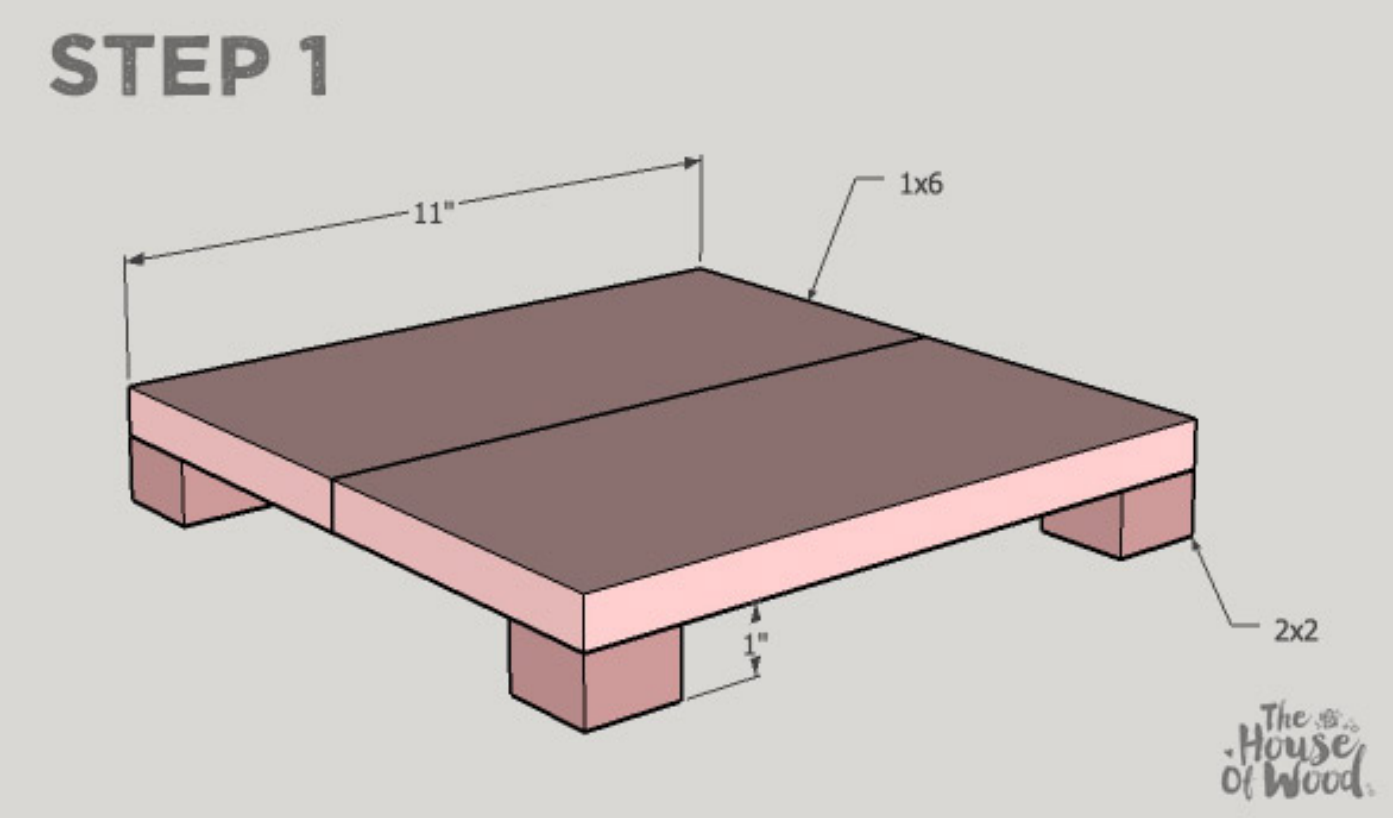
TOOLS:

- Tape Measure
- Speed Square
- Pencil
- Drill
- Saw
- Brad Nailer or Hammer
- Kreg jig (optional)
- Safety Glasses
- Hearing Protection

LARGE LANTERN

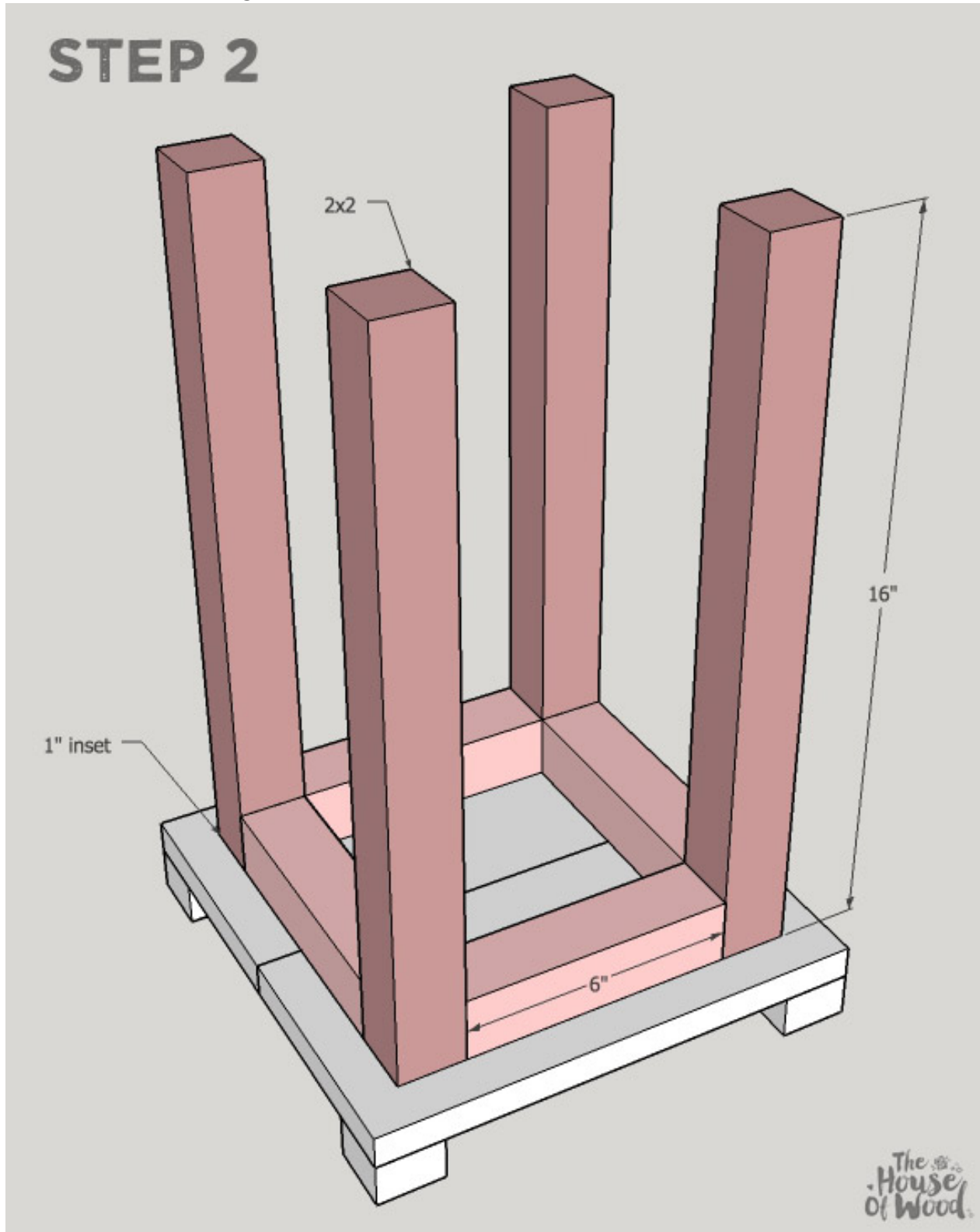
STEP 1

Build the base. Drill $\frac{3}{4}$ " pocket holes into the 1x6 and join the two boards together with $1\frac{1}{4}$ " pocket hole screws and wood glue. Attach feet with wood glue.



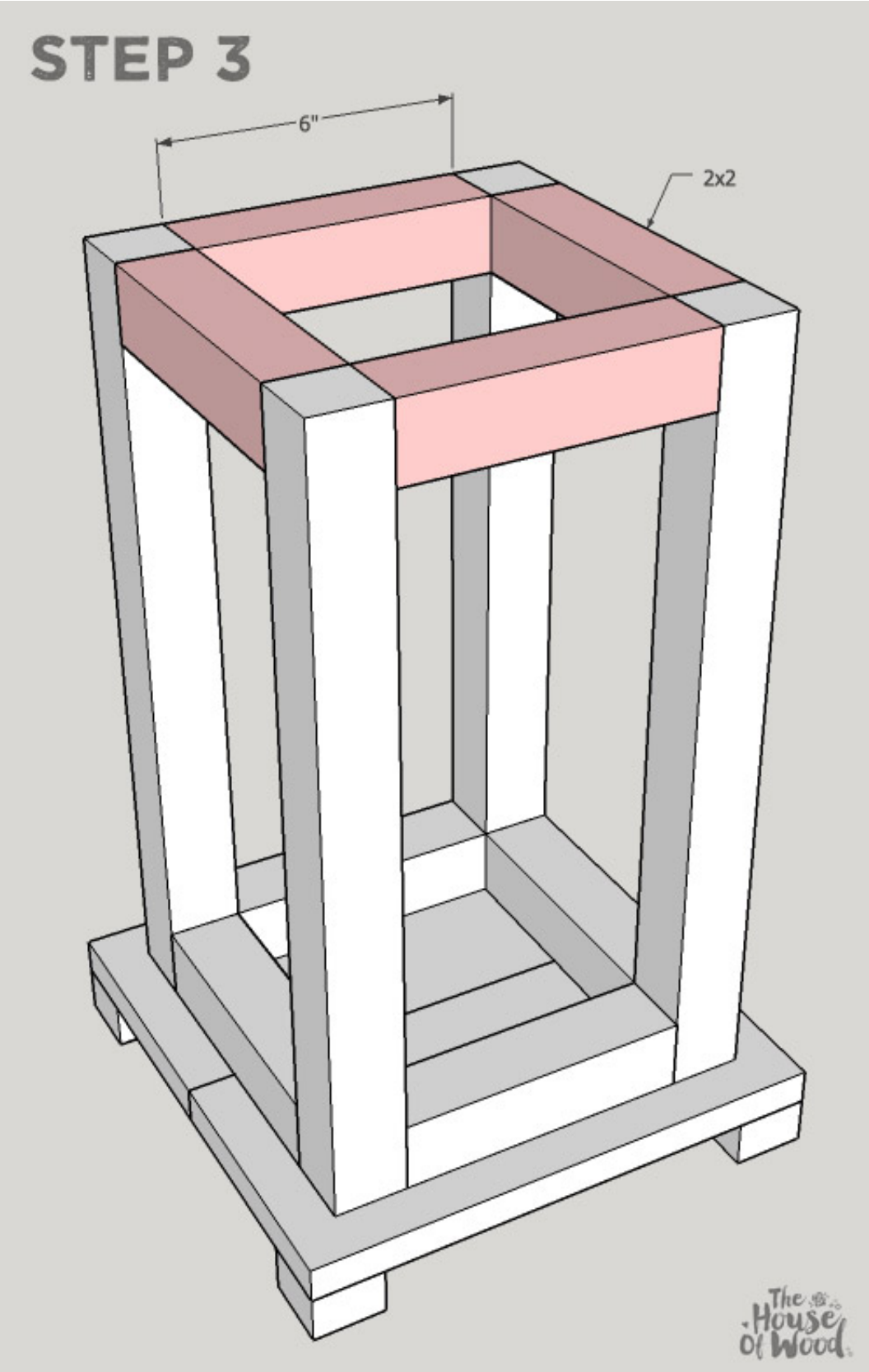
STEP 2

Construct as shown, using wood glue and 2" brad nails. You may choose to build the lantern first and then attach it to the base, allowing for a 1" inset on all sides. Attach lantern to base with 2" brad nails and wood glue.



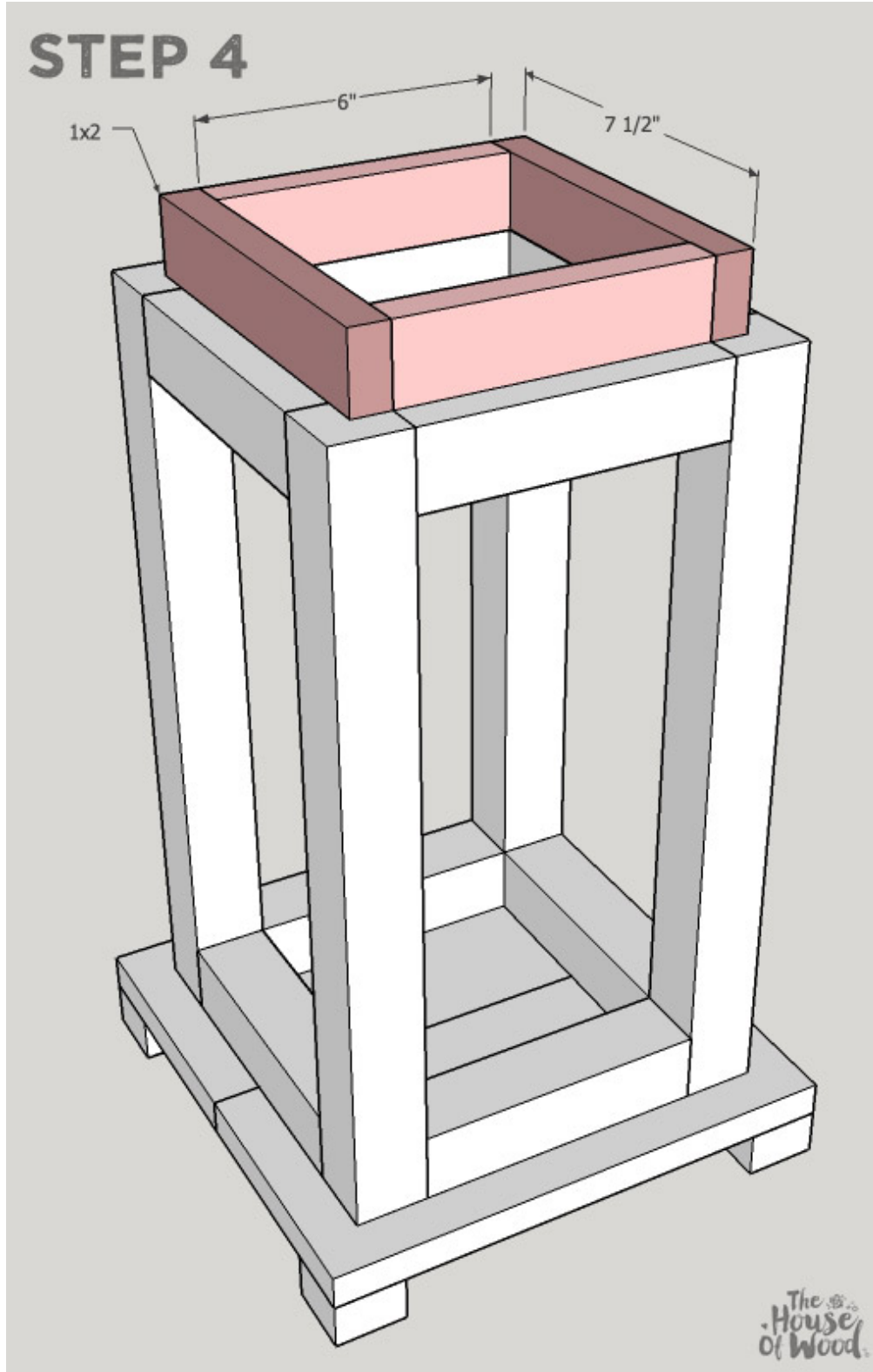
STEP 3

Complete the lantern box with 2" brad nails and wood glue.



STEP 4

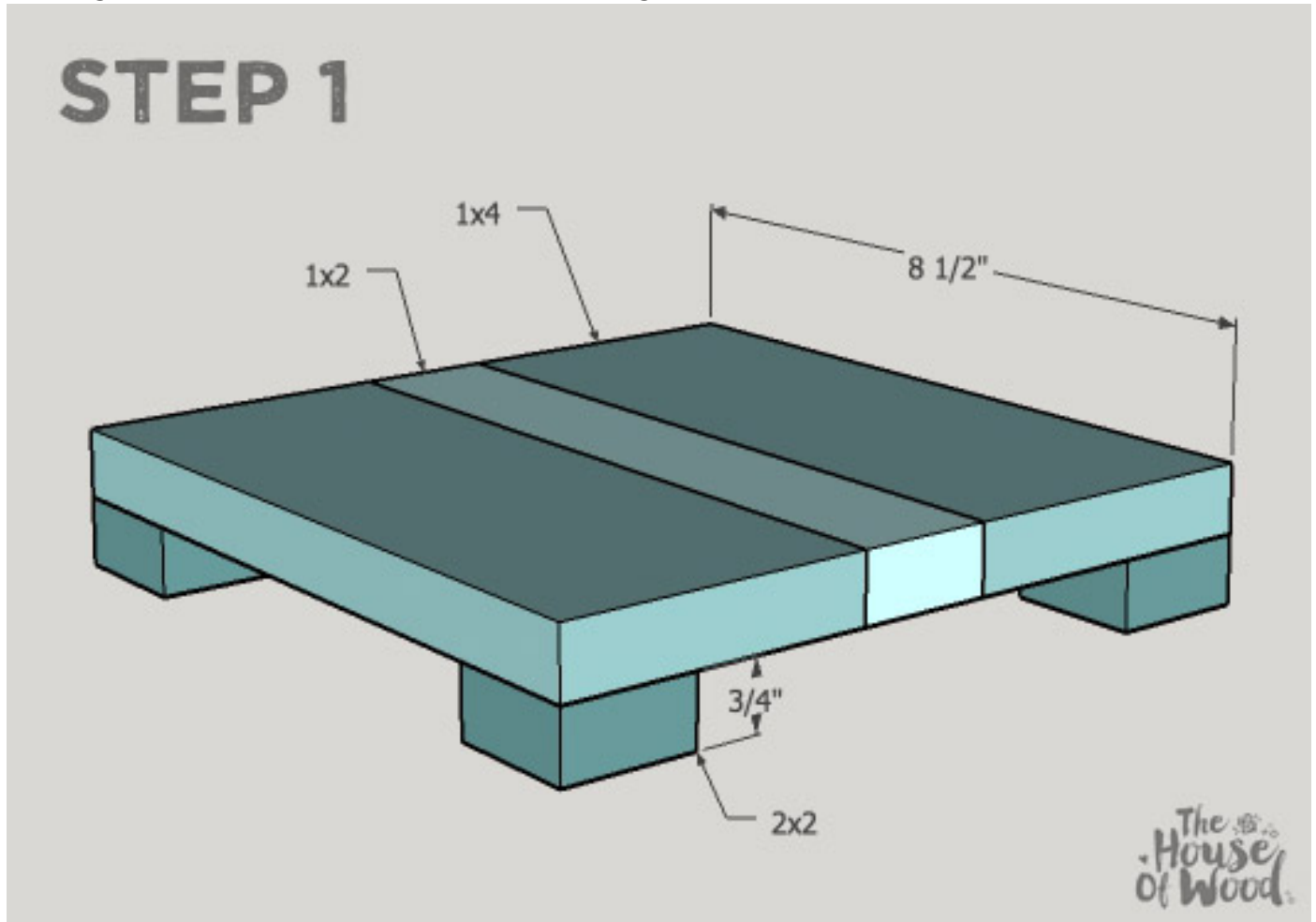
Construct the 1x2 pieces as shown, using 1 ¼" brad nails and wood glue. Find the center on the long 1x2 pieces and drill a hole for the wire handle. Attach to the lantern with 2" brad nails and wood glue.



SMALL LANTERN

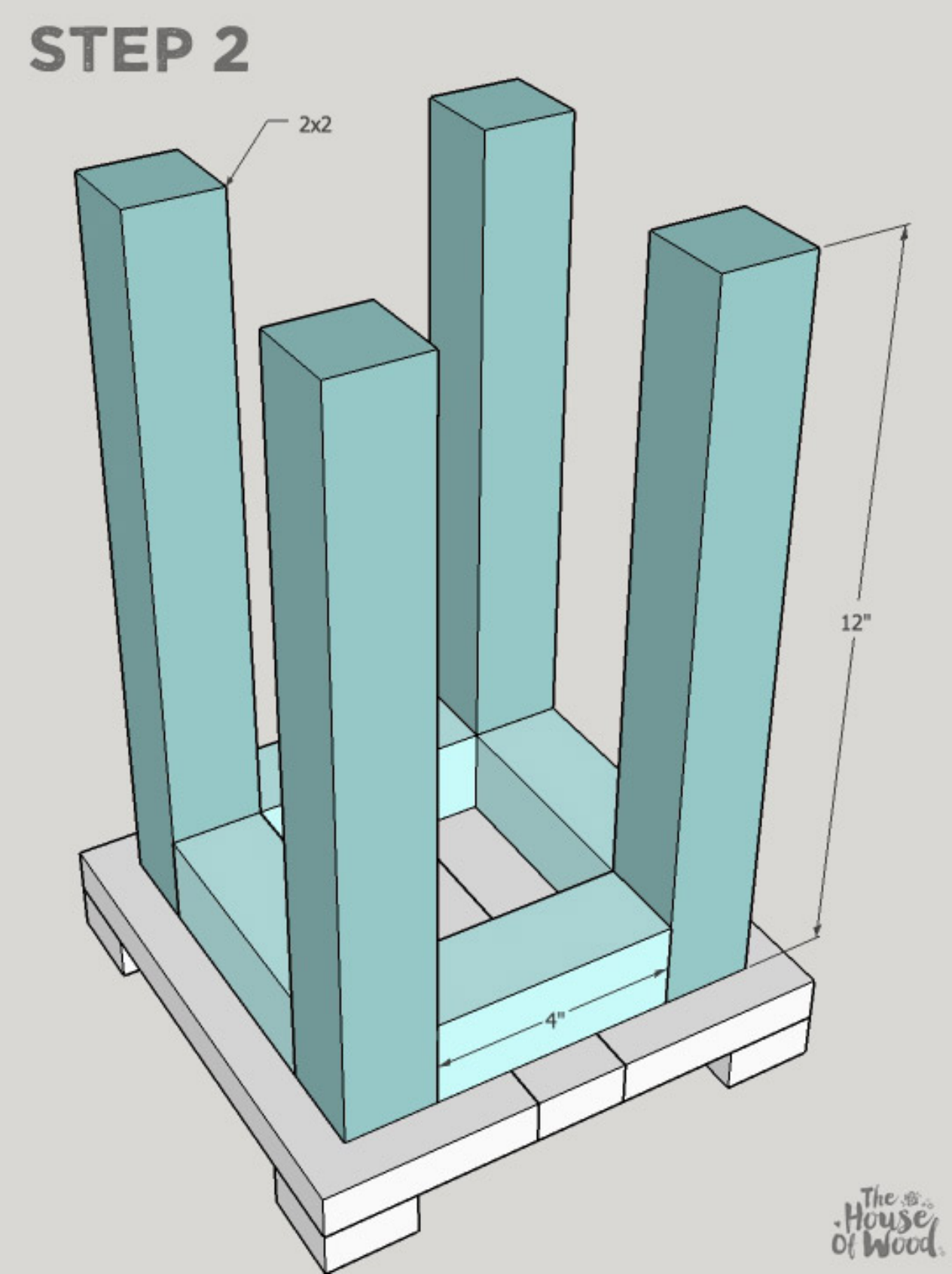
STEP 1

Build the base. Apply wood glue to the edges and clamp the boards together. Let dry. Alternately, you can drill $\frac{3}{4}$ " pocket holes and join together with $1\frac{1}{4}$ " pocket hole screws and wood glue. Attach feet to the base with wood glue.



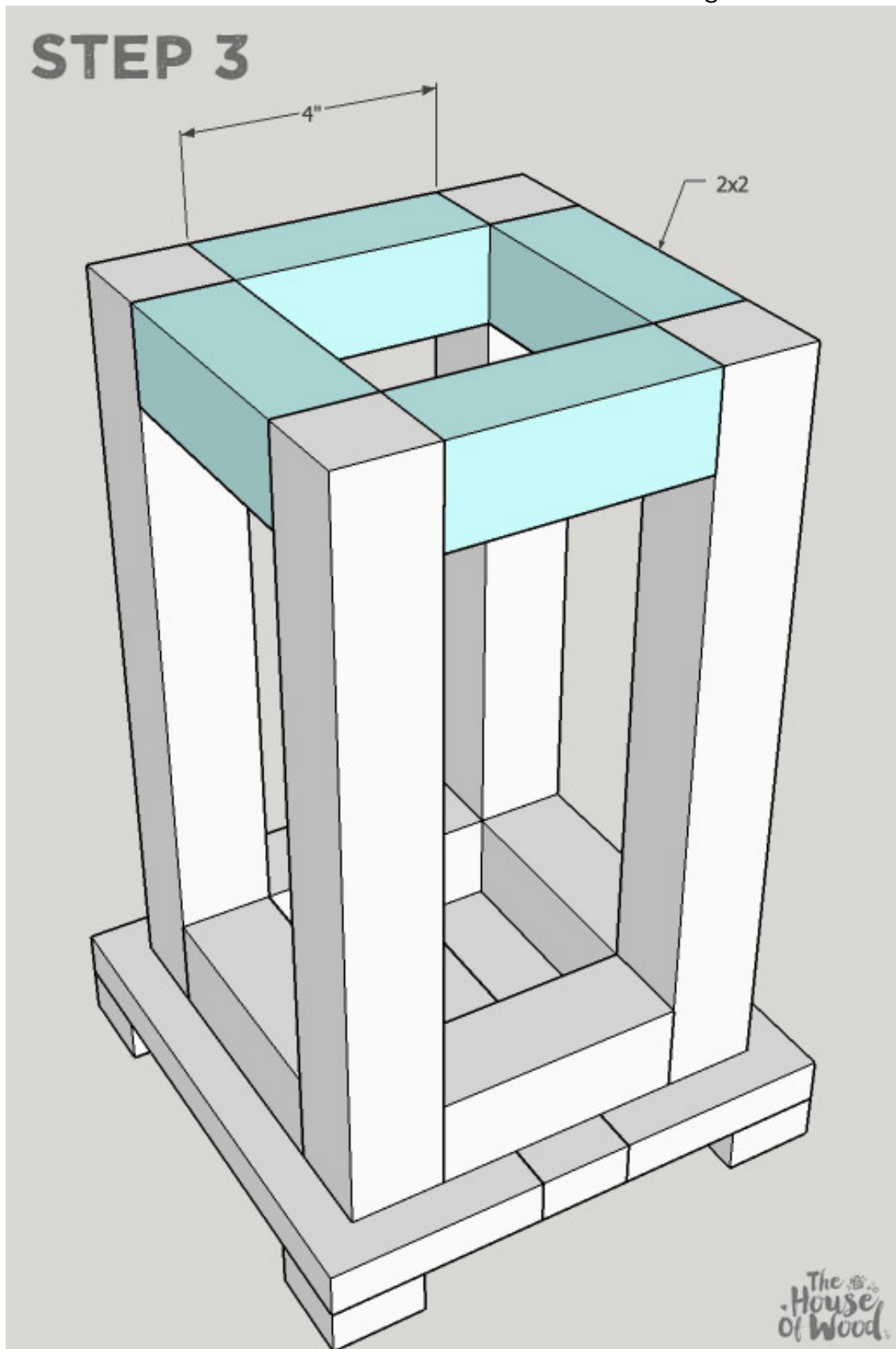
STEP 2

Build the lantern using 2" brad nails and wood glue.



STEP 3

Complete the lantern as shown, with 2" brad nails and wood glue. Center the lantern over the base with a 1" inset and attach with 2" brad nails and wood glue.



STEP 4

Construct the 1x2 pieces as shown, using 1 ¼" brad nails and wood glue, then attach to lantern with 2" brad nails and wood glue. Find the center in the long 1x2 pieces and drill a hole for the wire handle.

