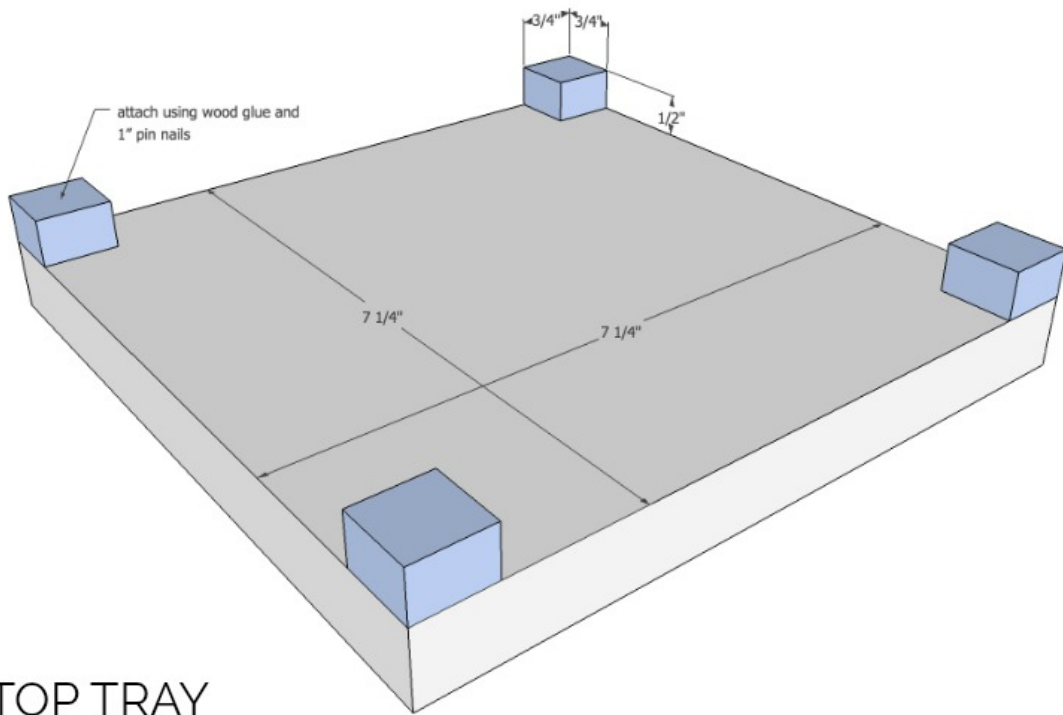


DESKTOP TRAY

JAIMECOSTIGLIO.COM

Supplies:

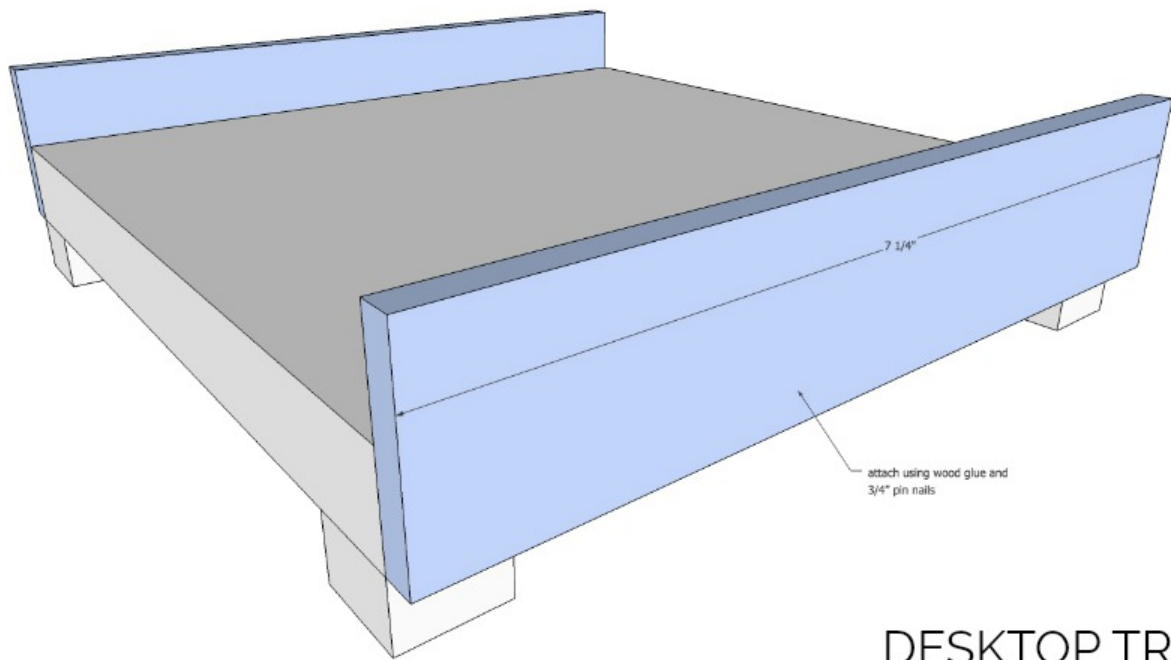
- 1 – 1x8 @ 7 1/4" (base)
- 4 – 3/4" square moulding @ 1/2" (feet)
- 2 – 1/4" flat moulding @ 1 1/2" x 7 1/4" (short sides)
- 2 – 1/4" flat moulding @ 1 1/2" x 7 3/4" (long sides)
- Wood glue
- 1" pin nails
- 3/4" pin nails



DESKTOP TRAY STEP 1

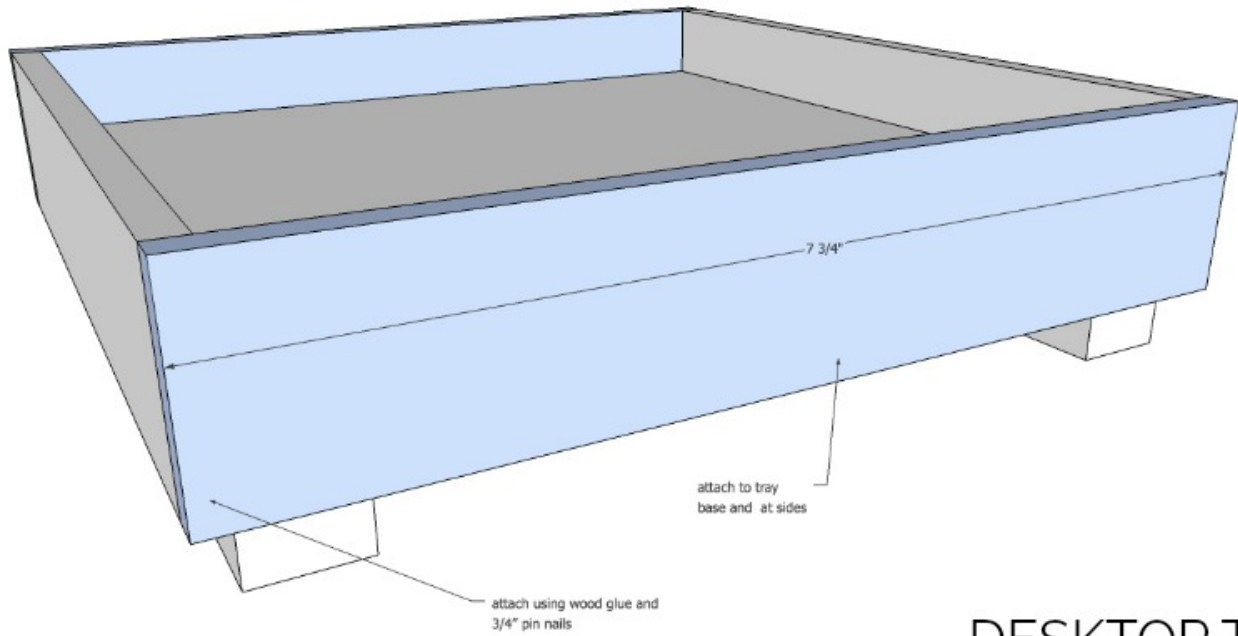
JAIMECOSTIGLIO.COM

Step 1: Attach the feet to the base using wood glue and 1" pin nails.



DESKTOP TRAY
STEP 2
JAIMECOSTIGLIO.COM

Step 2: Attach the short sides to the base using wood glue and $\frac{3}{4}$ " pin nails.



DESKTOP TRAY STEP 3

JAIMECOSTIGLIO.COM

Step 3: Attach the long sides to the base and short sides using wood glue and $\frac{3}{4}$ " pin nails.