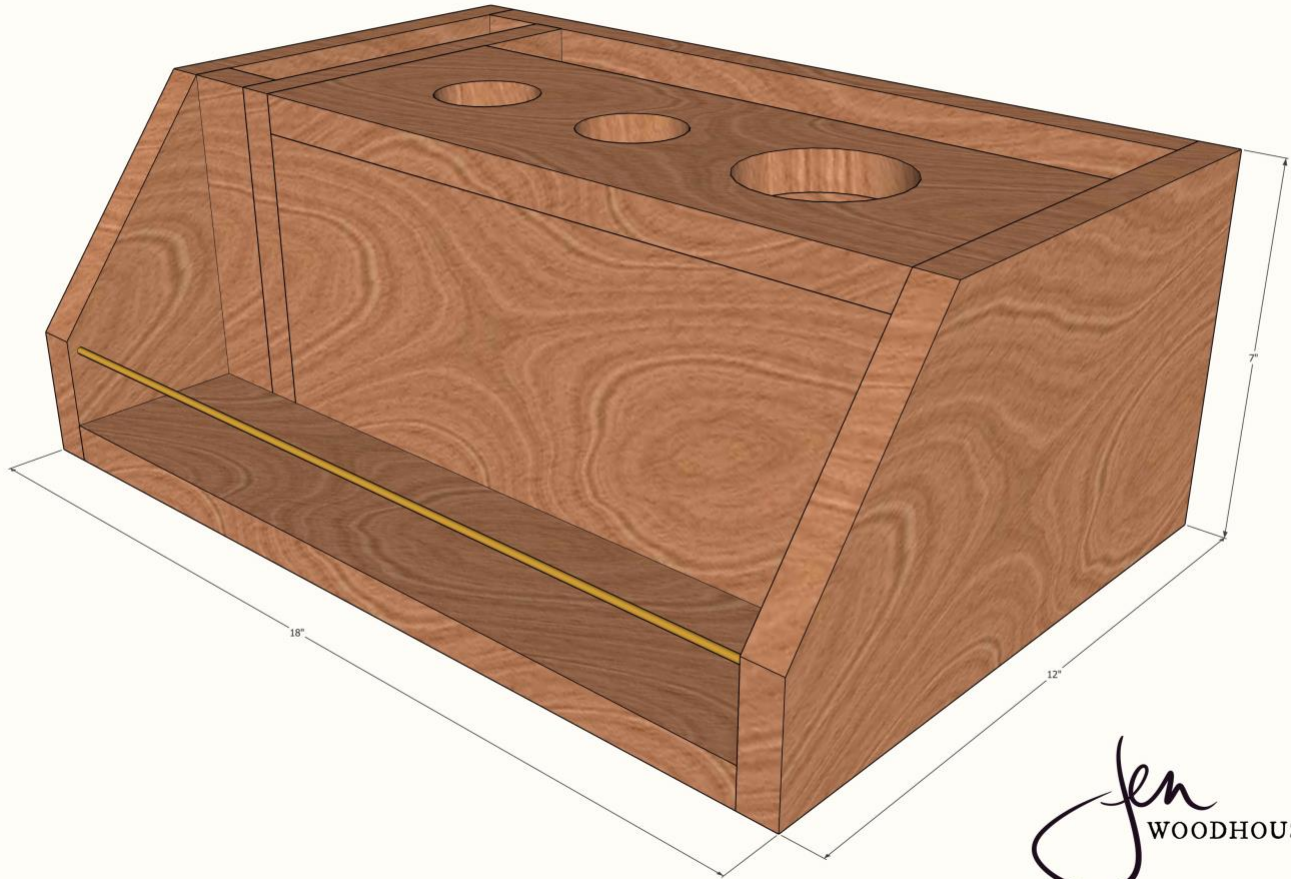


Hair Tools Organizer



Read the step-by-step tutorial on JenWoodhouse.com and watch our videos on Facebook or Instagram to see how easily this project comes together!

MATERIALS:

- Scrap wood
 - ¾-inch plywood
 - 1x6
 - 1x2
- 1 ¼-inch brad nails
- Wood glue
- Brass rod (optional)

TOOLS:

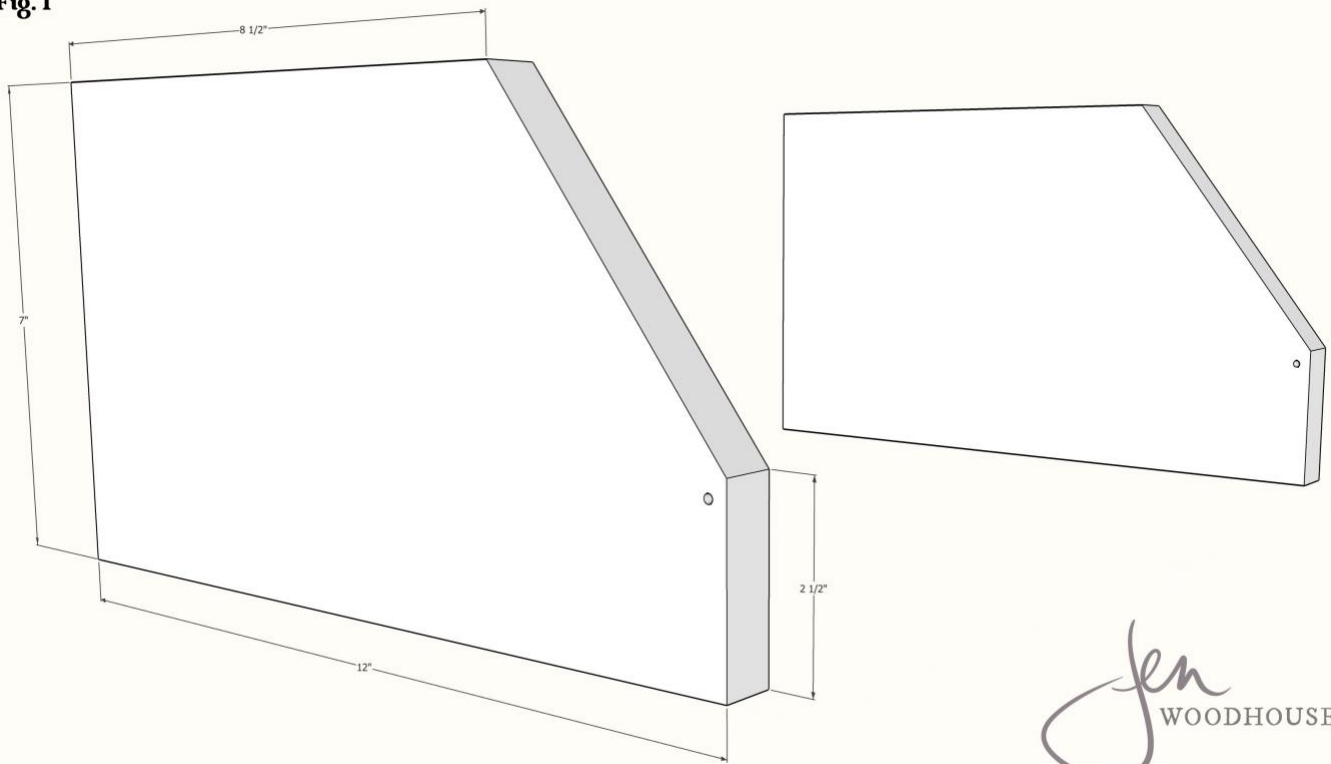
- Tape measure
- Speed square
- Cordless drill/driver + drill bit set
- Circular, table, or miter saw

- Jigsaw
- Brad Nailer
- Clamps
- Safety glasses, hearing protection, dust mask

CUT LIST:

- (2) ¾-inch plywood @ 12 inches x 7 inches (sides)
- (1) ¾-inch plywood @ 16 ½ inches x 11 ¼ inches (bottom)
- (1) ¾-inch plywood @ 16 ½ inches x 7 inches (back)
- (3) 1x6 @ 14 ¼ inches (dryer/curling iron organizer)
- (1) ¾-inch plywood @ 7 ¾ inches x 6 ¼ inches (brush/comb organizer)
- (1) 1x2 @ 6 ¼ inches (brush/comb organizer)

Fig. 1

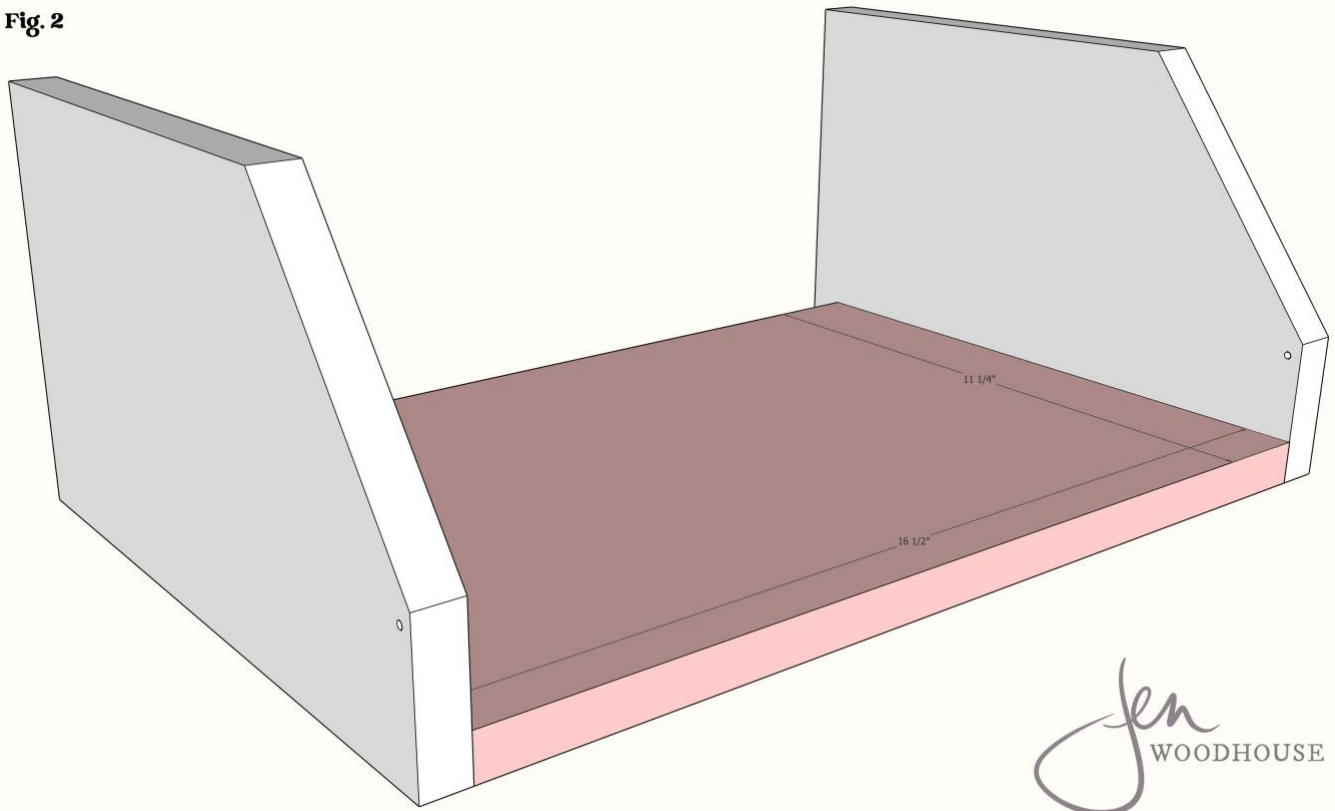


STEP 1 – Cut the sides

Measure, mark, and cut the sides as shown, using a circular saw, miter saw, table saw, or jig saw.

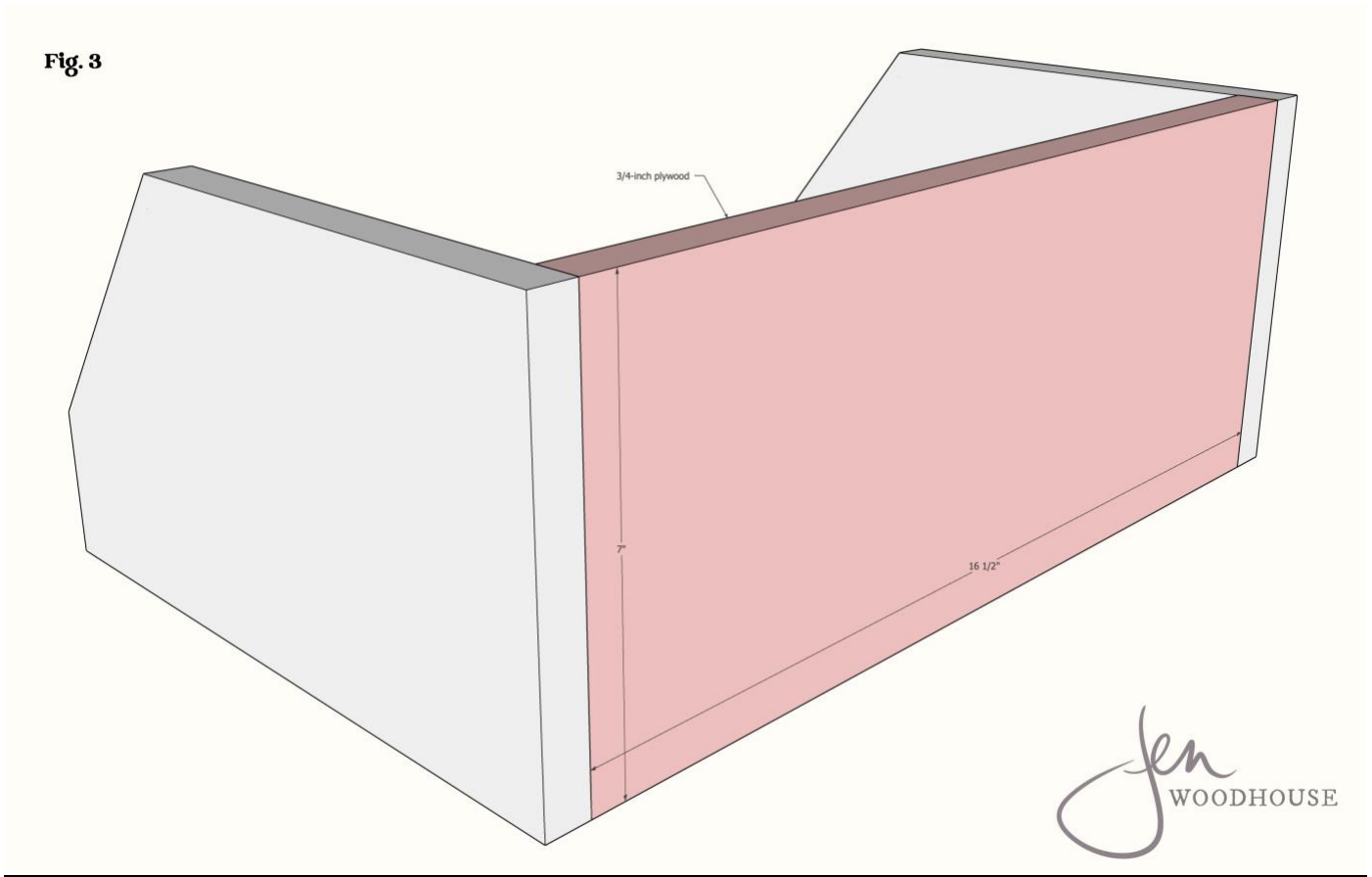
**Optional: drill holes for the brass bar, if desired.*

Fig. 2



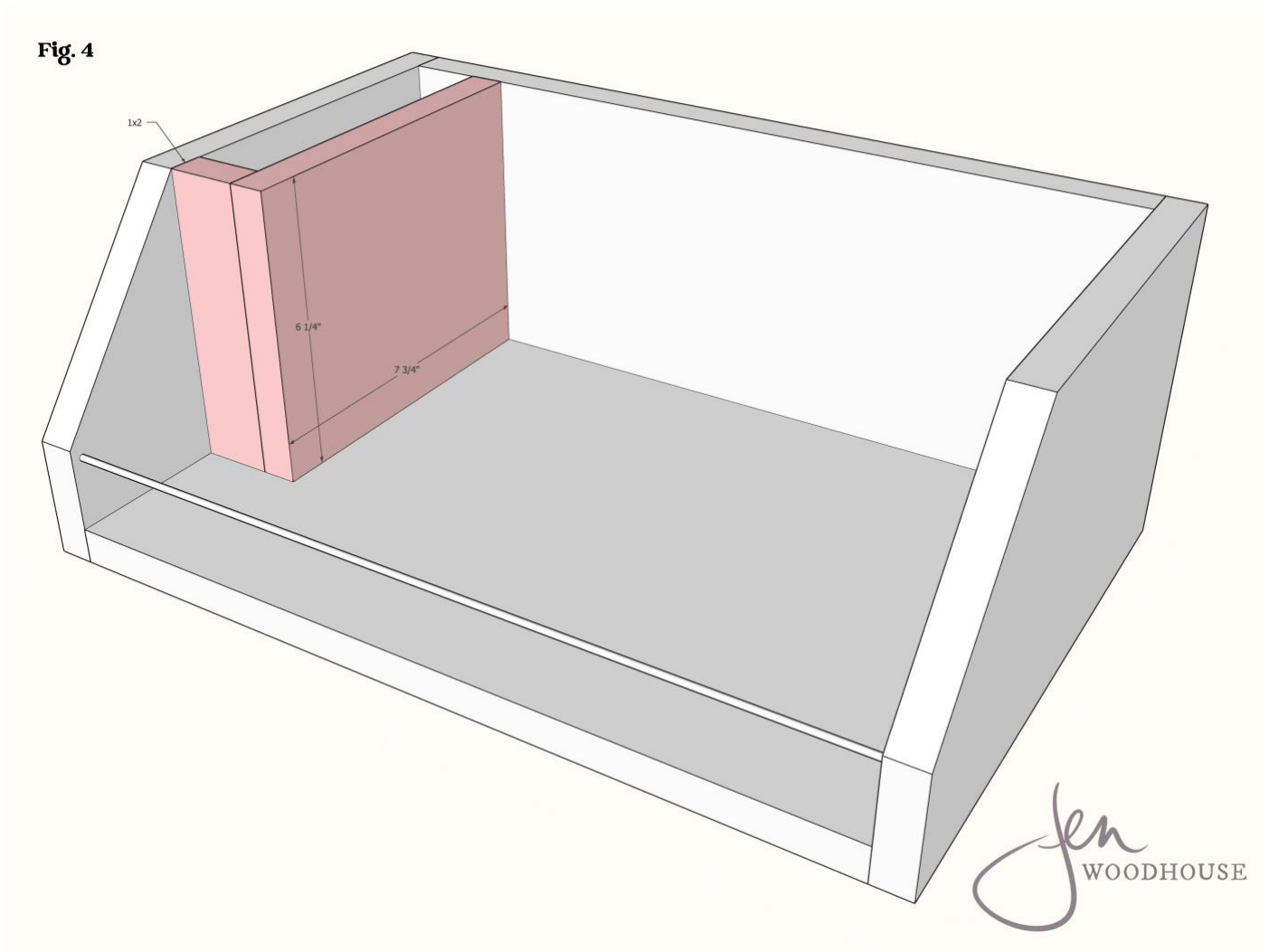
STEP 2 - Attach the sides to the bottom

Measure, mark, and cut the bottom part to size. Use glue and 1 ¼-inch brad nails to attach the sides to the bottom. Notice the bottom is flush to the front edge of the sides.



STEP 3 – Add the back

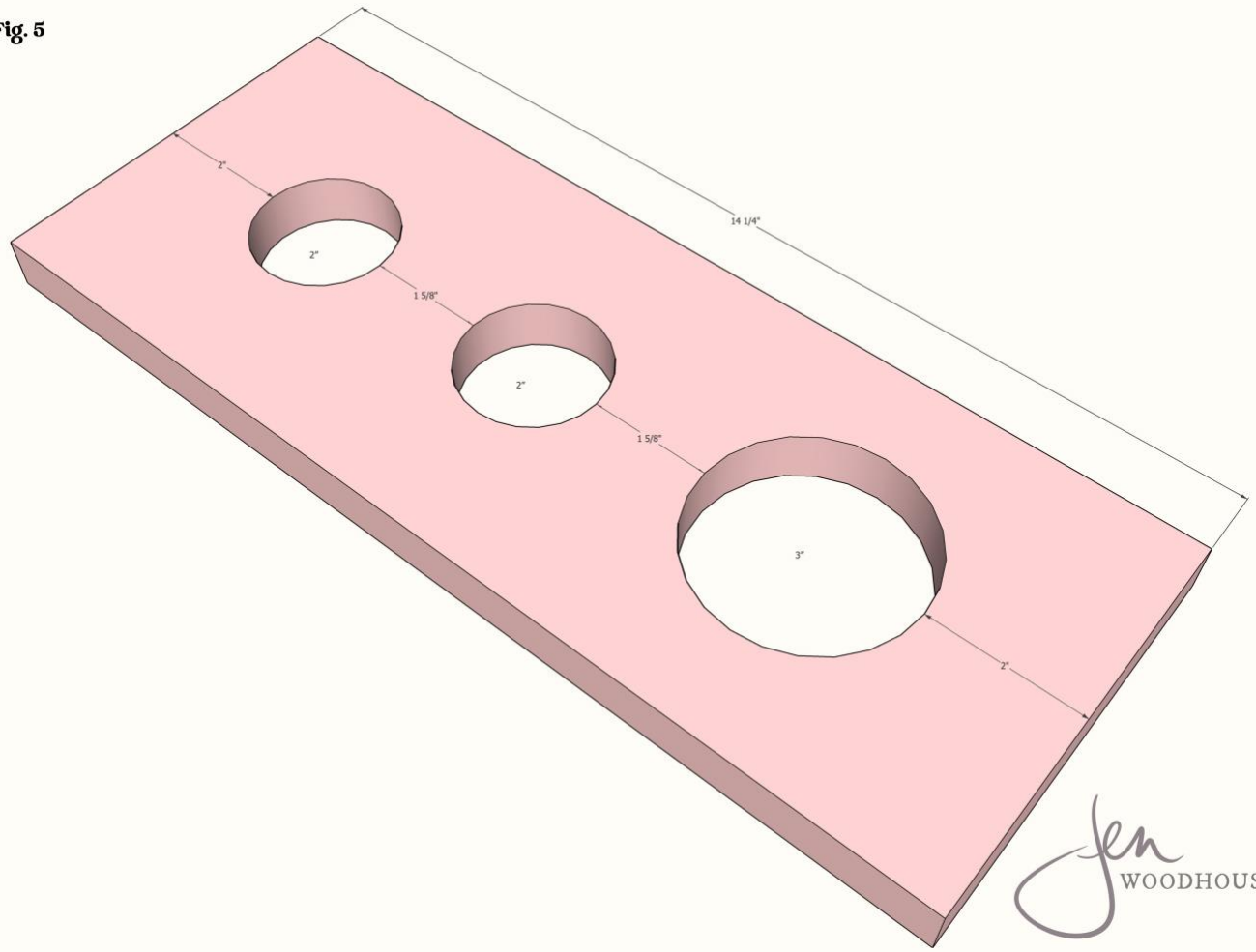
Measure, mark, and cut the back to size. Use glue and nails to attach the back to the sides and bottom.



STEP 4 – Add the brush/comb organizer

Measure, mark, and cut the parts to size. Use glue and nails to construct the brush/comb organizer as shown.

Fig. 5

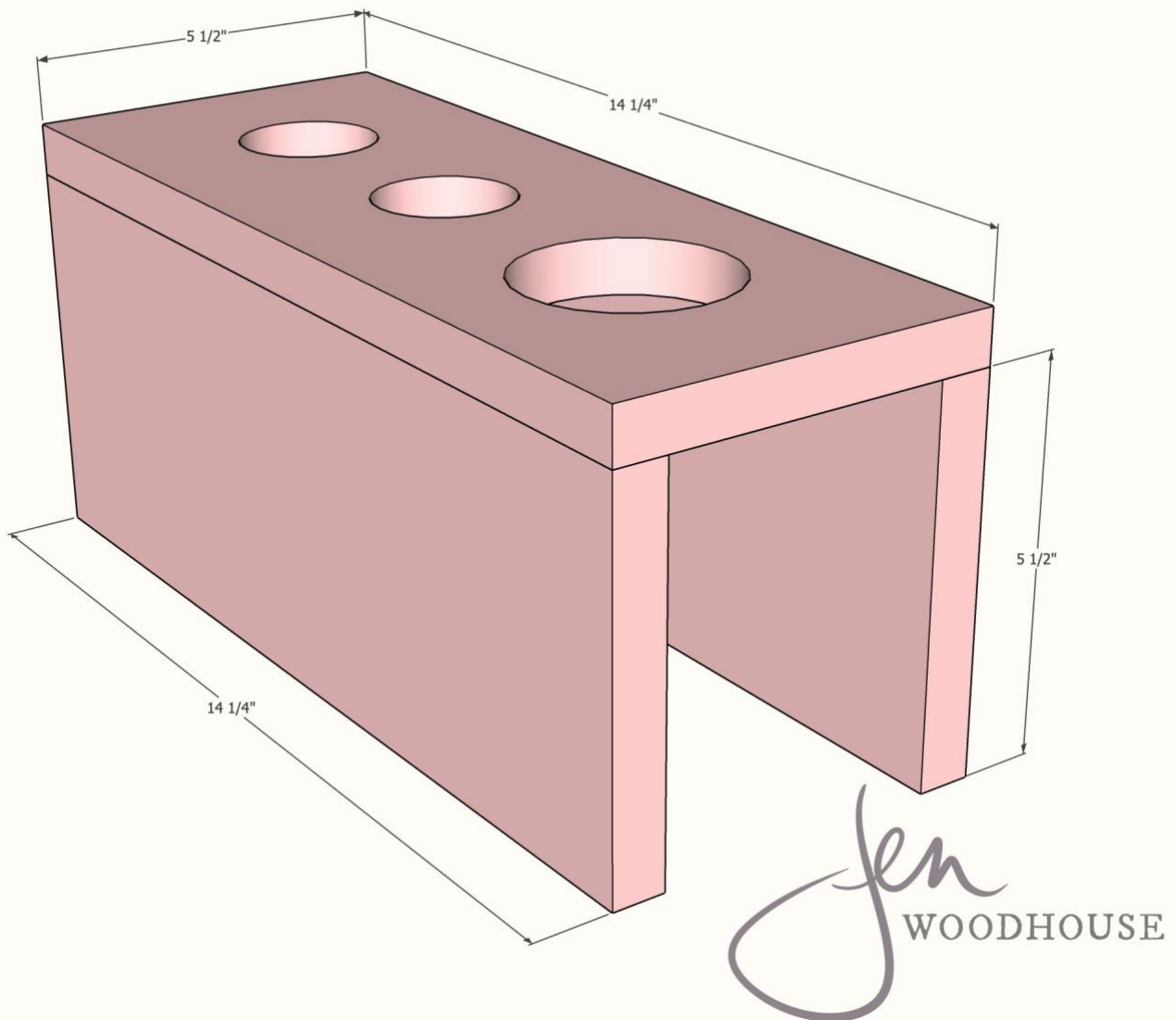


STEP 5 - Cut the holes out

Measure, mark, and cut the 1x6 board to length. Trace the holes for the hair dryer and curling irons as shown. Use a drill with a big drill bit to drill a starter hole, then use a jigsaw to cut the holes out.

**Pro tip: use a scrolling blade on the jigsaw to cut tighter, more precise curves.*

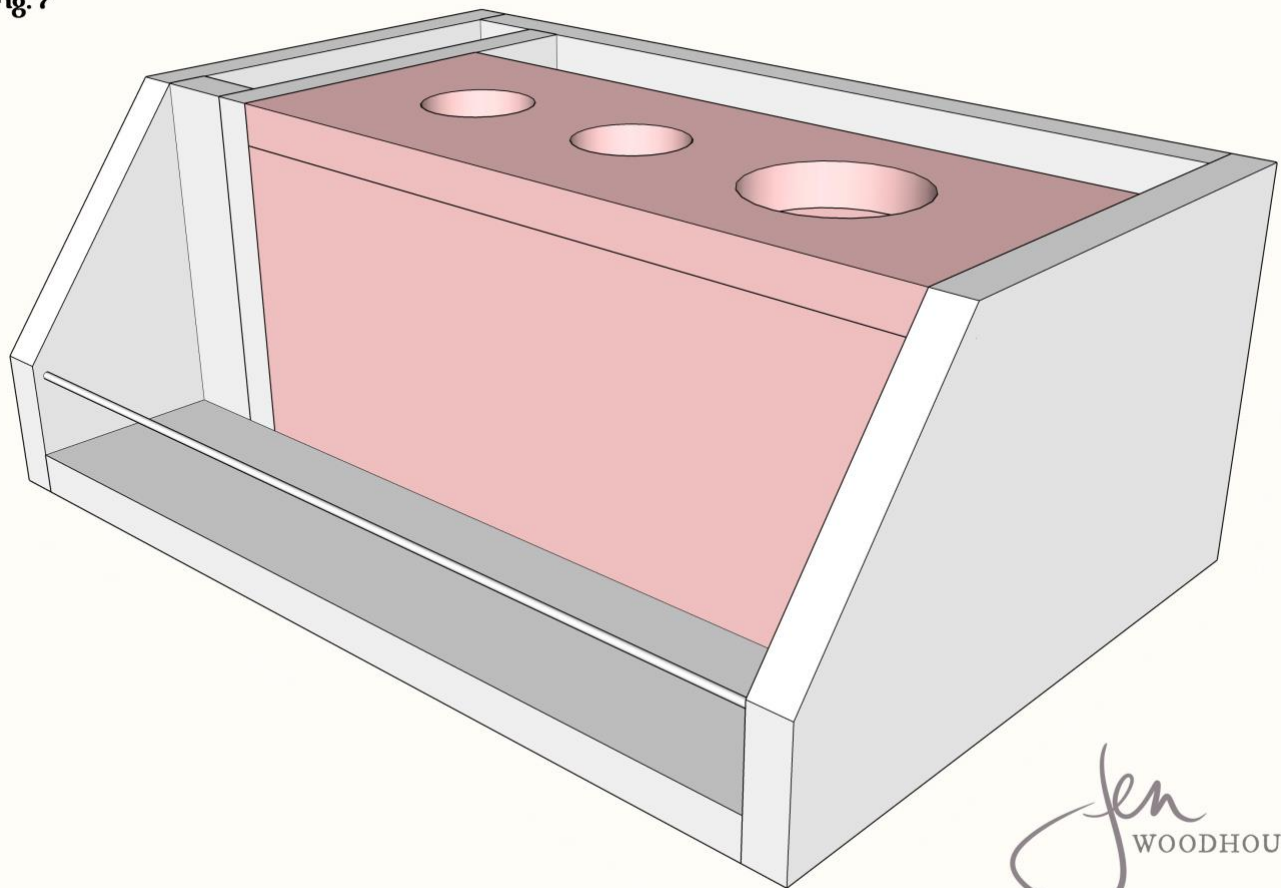
Fig. 6



STEP 6 - Construct the dryer/curling iron organizer

Measure, mark, and cut the the 1x6 boards to length. Use glue and nails to construct the dryer/curling iron organizer as shown.

Fig. 7



STEP 7 - Attach the dryer/curling iron organizer

Use glue and nails to attach the dryer/curling iron organizer as shown. Add the brass rod (optional).

Sand, paint and/or stain, and finish as desired.

For more information, visit JenWoodhouse.com to read the blog post and watch the video on Instagram and Facebook! Be sure to tag us (@jenwoodhouse) on social media so we can see your handiwork!