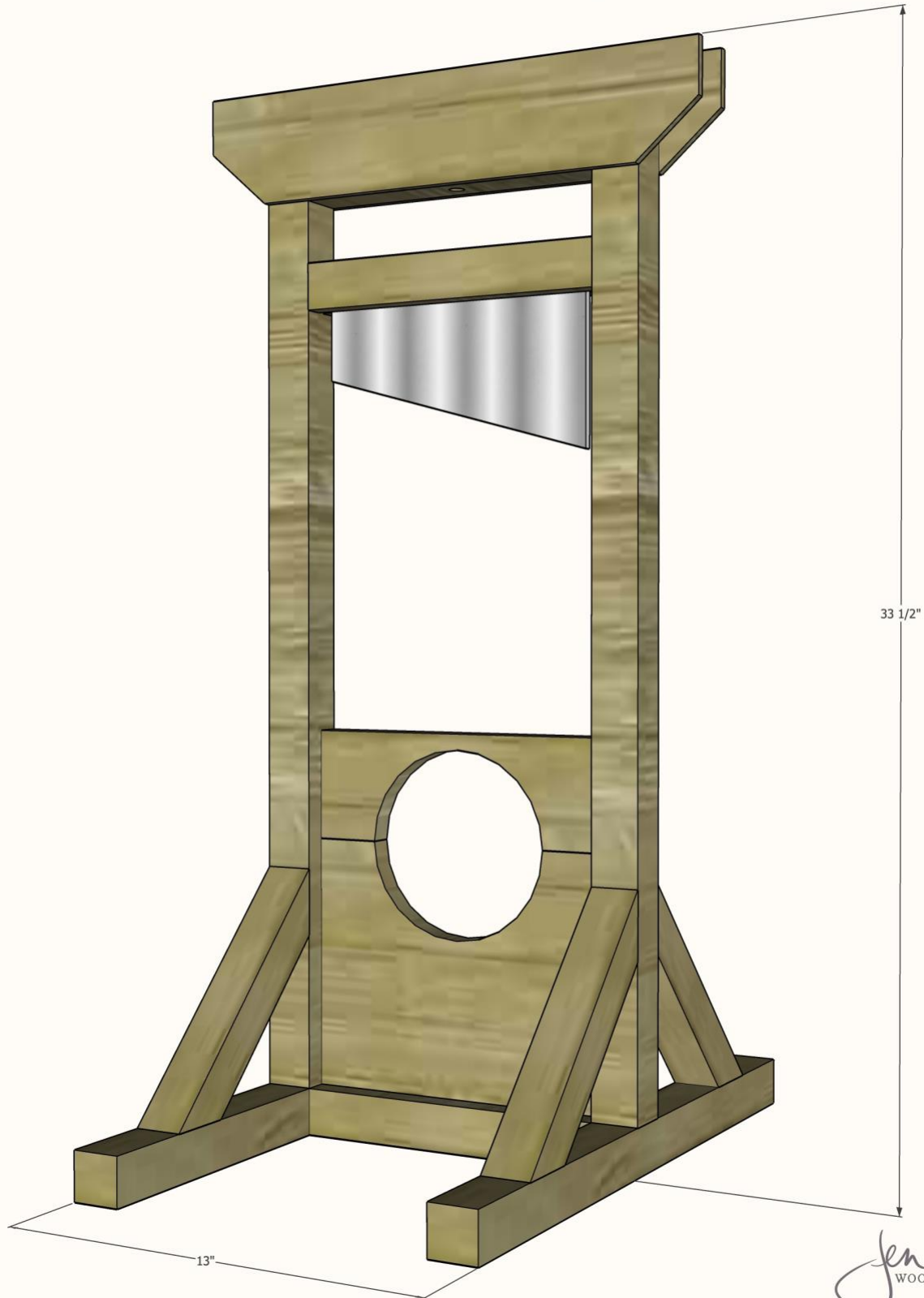


# Gruesome Guillotine Halloween Candy Bowl



***Read the step-by-step tutorial on [JenWoodhouse.com](http://JenWoodhouse.com) and watch our videos on [Facebook](#) or [Instagram](#) to see how easily this project comes together!***

**MATERIALS:**

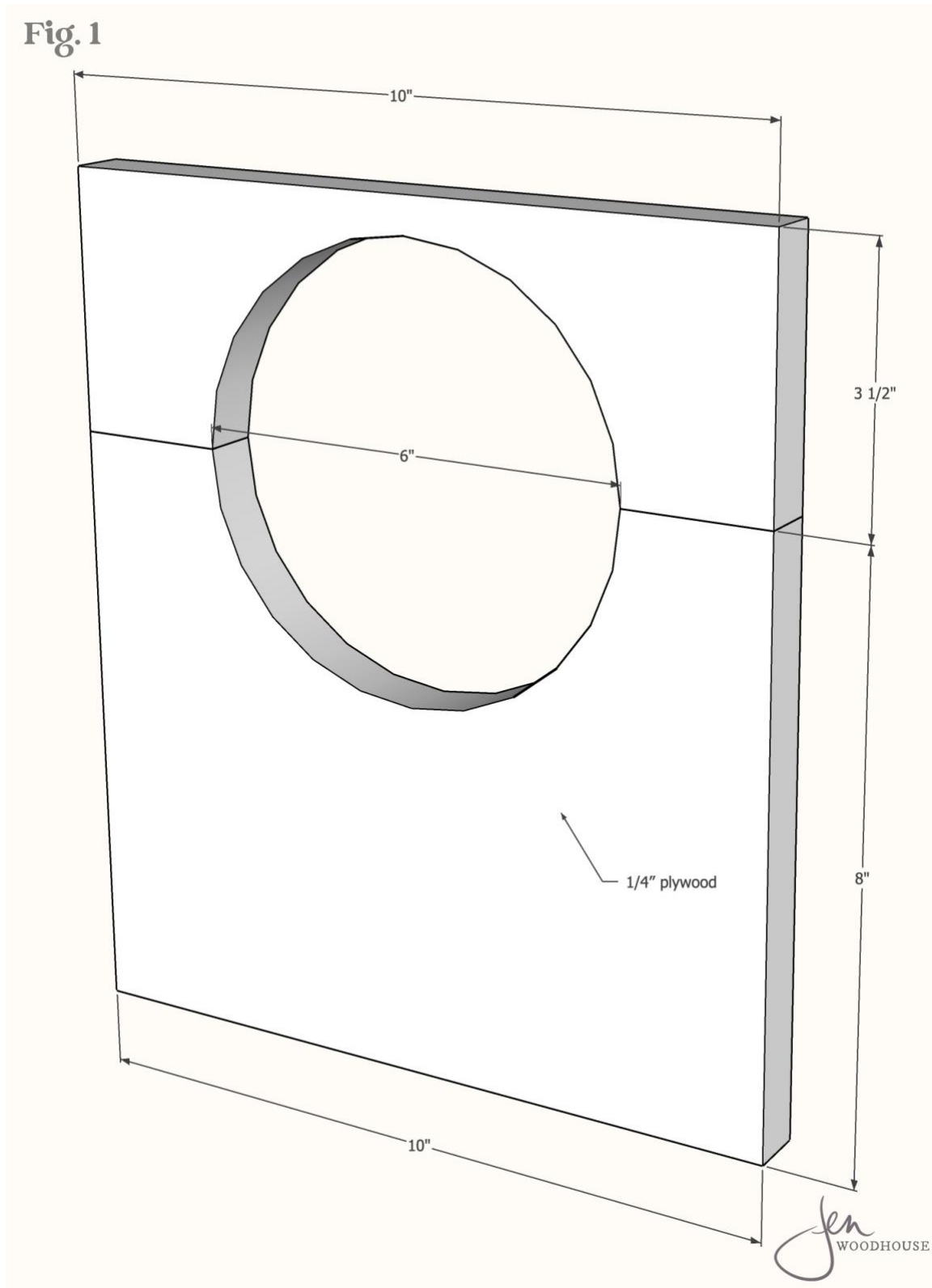
- ¼-inch plywood
- 2x2
- 2-inch brad nails
- 1 ¼-inch brad nails
- Wood glue
- Twine

**TOOLS:**

- Tape measure
- Speed square
- Cordless drill/driver + drill bit set
- Miter saw
- Table saw
- Jigsaw
- Brad nailer
- Clamps
- Safety glasses, hearing protection, dust mask

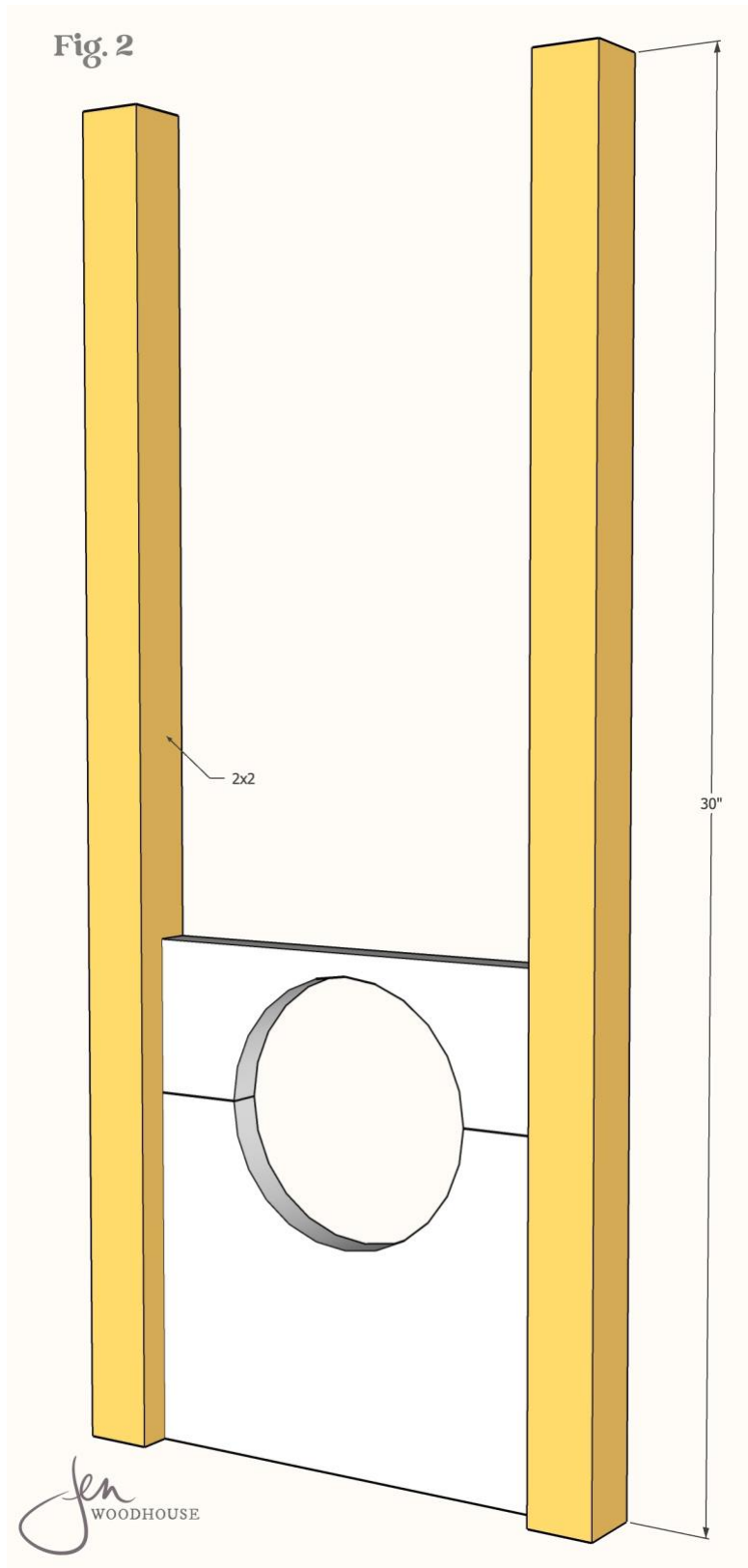
**CUT LIST:**

- (1) ¼-inch plywood @ 11 ½ inches x 10 inches (lunette)
- (2) 2x2 @ 30 inches (posts)
- (3) 2x2 @ 10 inches (rails)
- (1) ¼-inch plywood @ 9 inches x 5 inches (blade)
- (2) 2x2 @ 21 ½ inches (feet)
- (4) 2x2 @ 10 inches (angled braces)
- (2) ¼-inch plywood @ 17 inches x 3 ½ inches (headers)



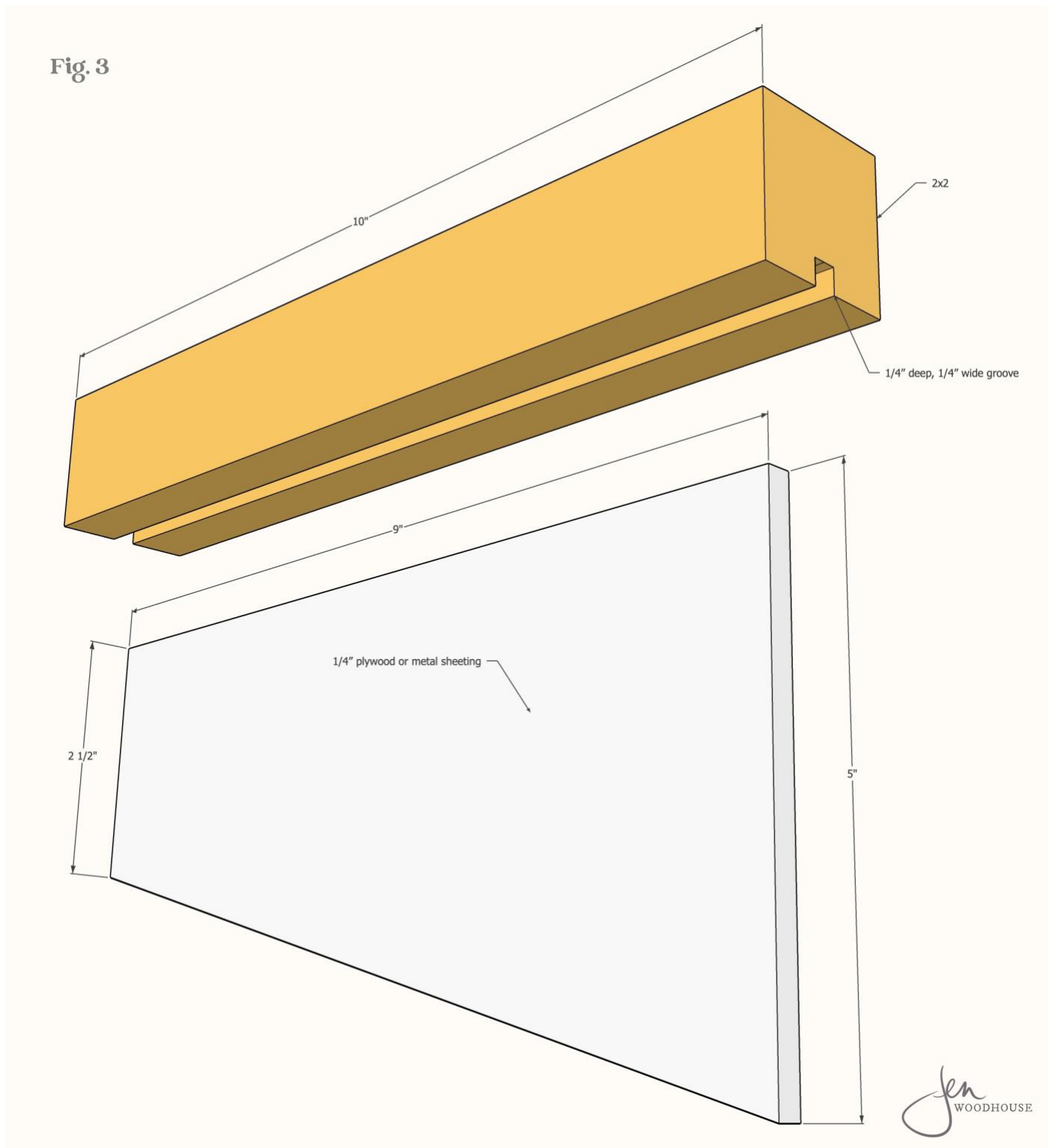
**STEP 1 - Cut the lunette**

Measure, mark, and cut the 1/4-inch plywood to size as shown. Drill a starter hole and use a jigsaw to cut the hole for the lunette.



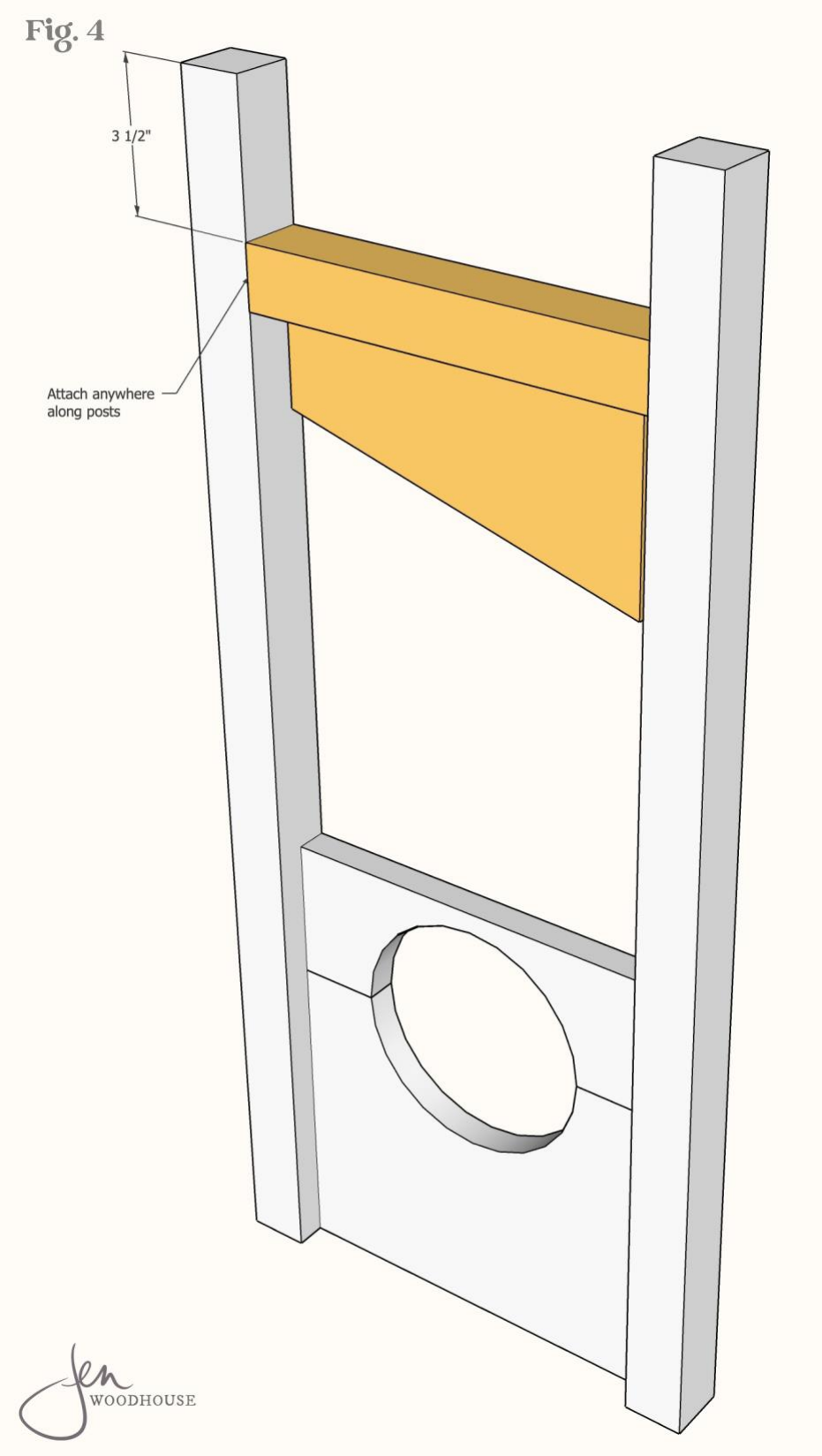
**STEP 2 - Add the posts**

Measure, mark, and cut the 2x2 posts to length. Glue the posts to the lunette. You may also opt to use a table saw to cut a 1/4-inch deep, 1/4-inch wide groove along the length of the posts for the plywood to slide down into. In which case, you don't have to use glue to hold the plywood in place.



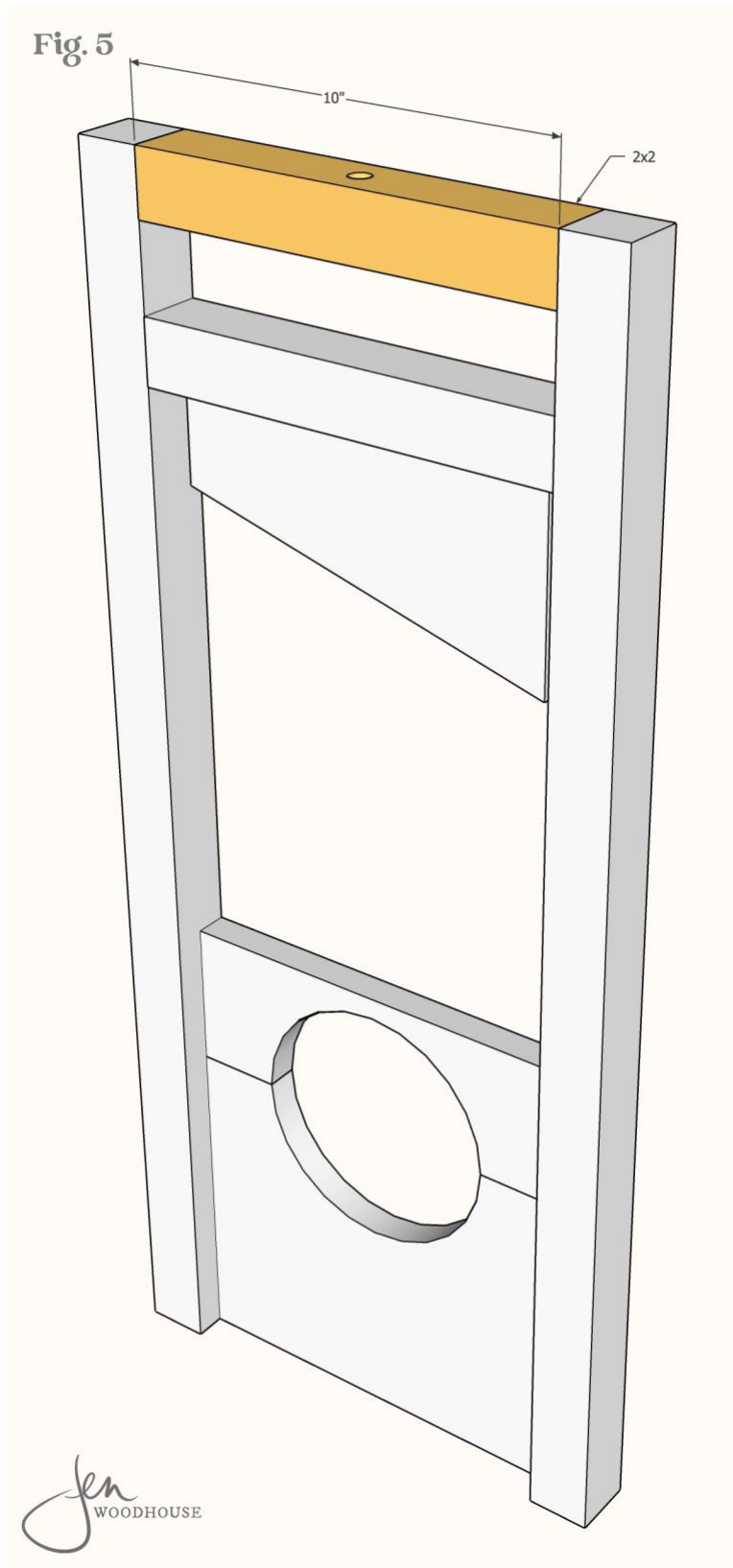
**STEP 3 - Build the “blade”**

Measure, mark, and cut the 2x2 rail and ¼-inch plywood to size. Using a table saw, cut a groove along the bottom side of the rail. Spray-paint the plywood a metallic paint color so it looks like a metal blade. Insert the “blade” into the groove in the rail and glue in place.



**STEP 4 - Attach the blade**

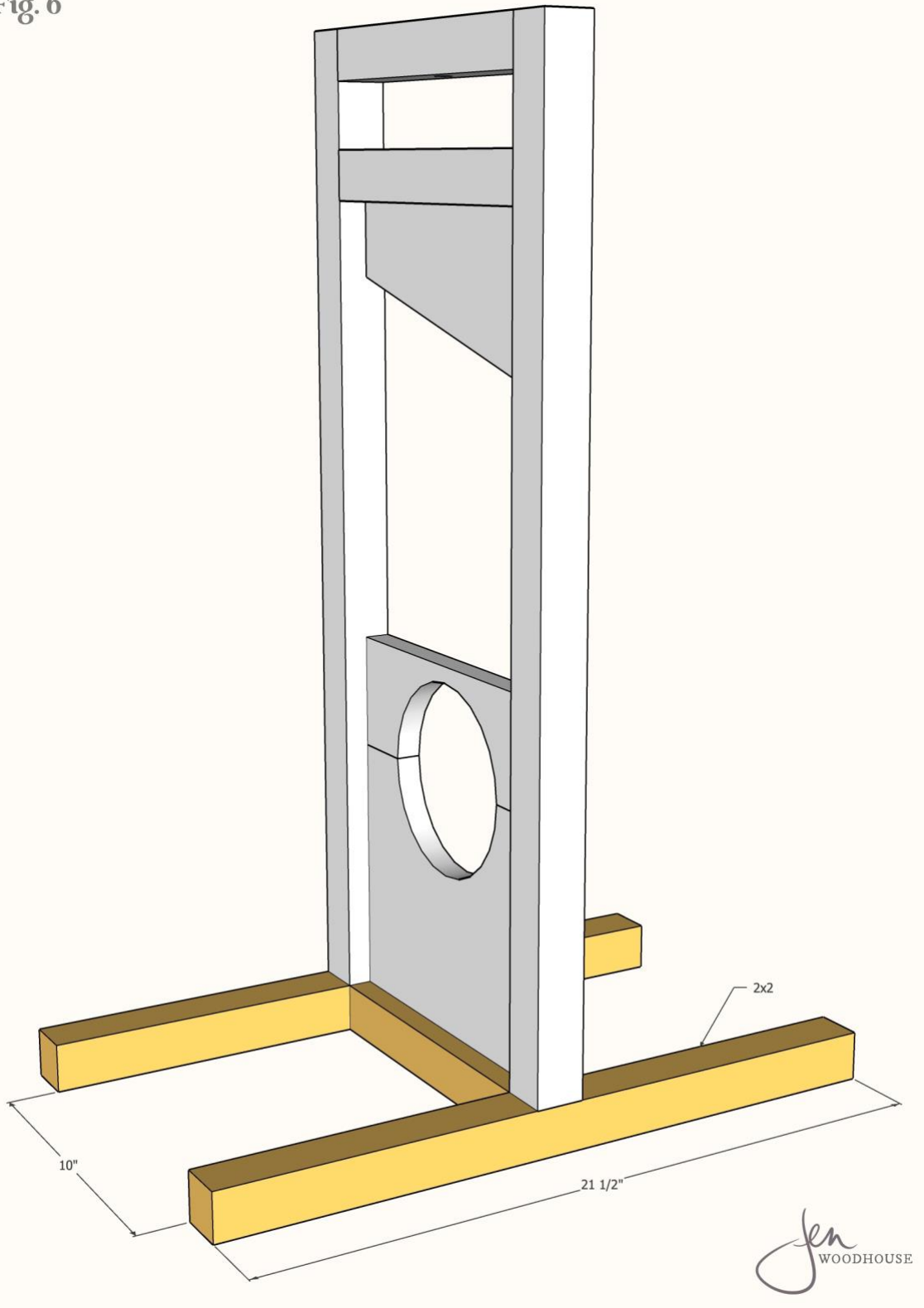
Glue and nail the constructed "blade" anywhere along the posts.



**STEP 5 - Add the top rail**

Measure, mark, and cut the 2x2 top rail to length. Drill a small hole in the center as shown. This will be for the make-believe “rope and pulley.” Attach the top rail to the posts with glue and nails, install an eye screw, and add the rope to the guillotine.

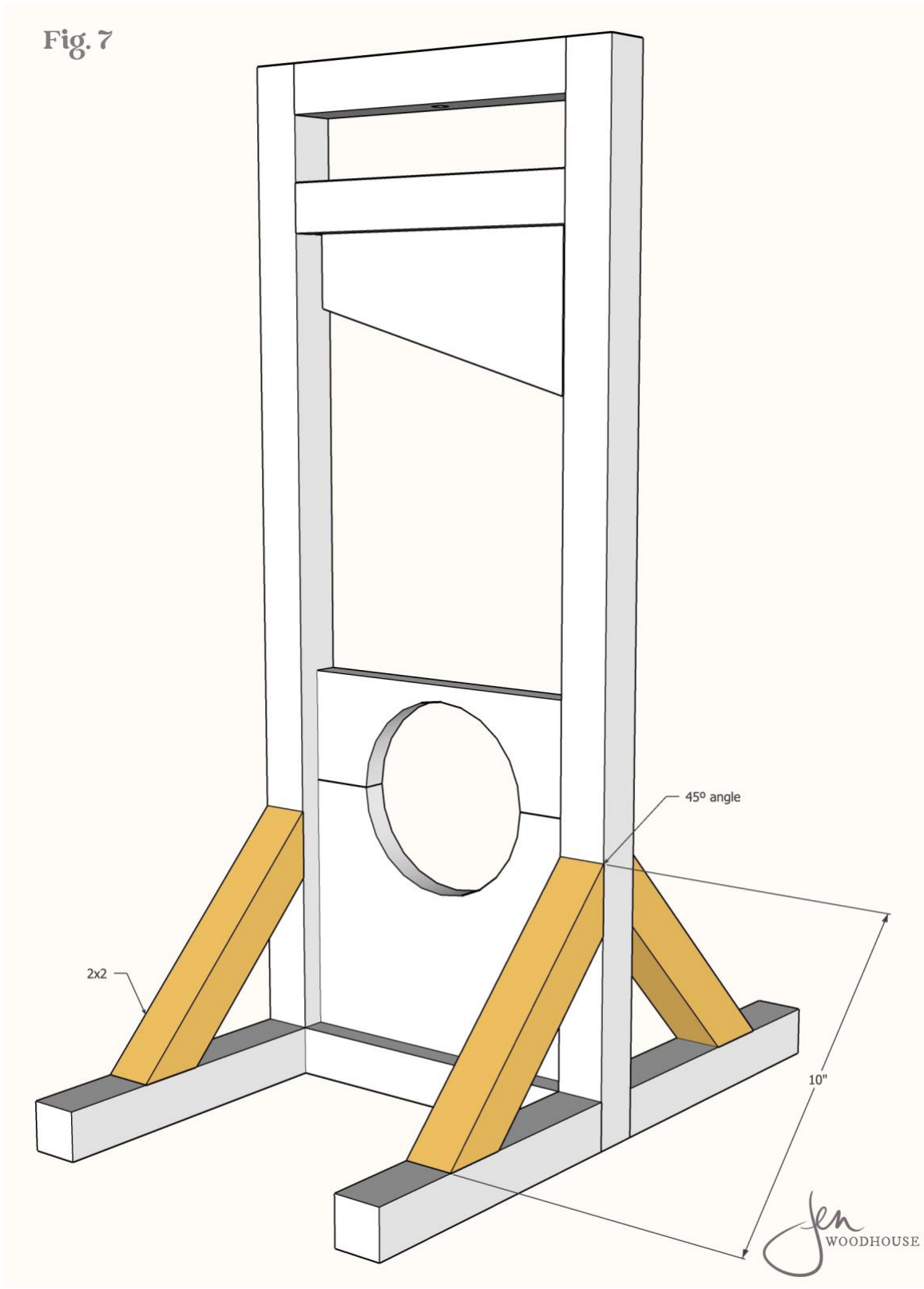
Fig. 6



**STEP 6 - Construct the base**

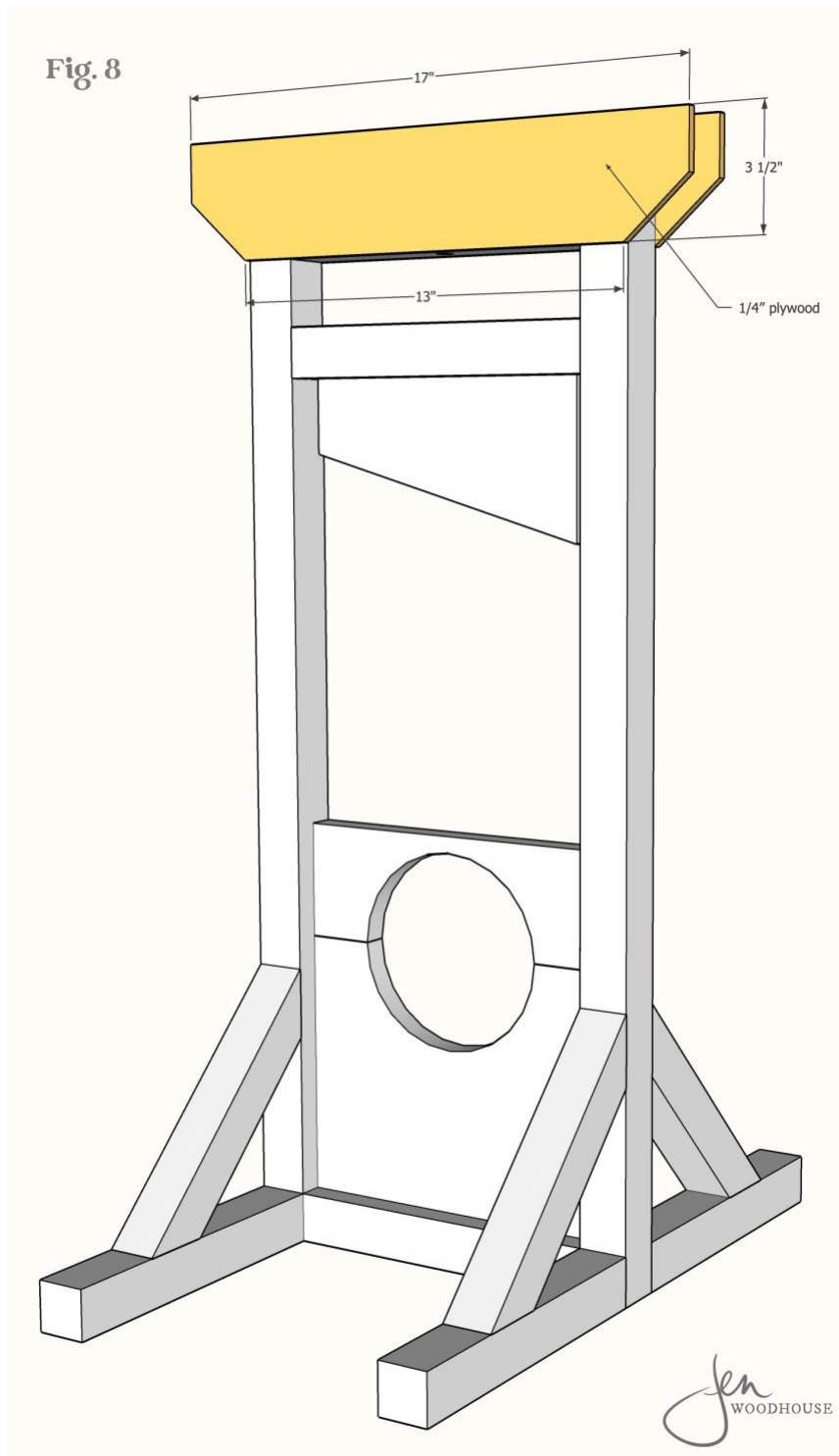
Measure, mark, and cut the 2x2 feet to length. Glue and nail the base as shown, then attach it to the guillotine.





**STEP 7 - Attach the angled braces**

Measure, mark, and cut the 2x2 braces to length, cutting the ends at a 45° angle, not parallel. Attach them to the posts and feet with glue and nails.



### **STEP 8 - Add the headers**

Measure, mark, and cut 1/4-inch plywood to size and attach them to the posts with glue and nails. Sand, paint and/or stain, and finish as desired. Place a candy bowl behind the guillotine so that trick-or-treaters must reach through the lunette to get the candy! Happy Halloween!

For more information, visit [JenWoodhouse.com](http://JenWoodhouse.com) to read the blog post and watch the video on [Instagram](#) and [Facebook](#)! Be sure to tag us (@jenwoodhouse) on social media so we can see your projects!